

# SLIDER NEXT

## Outdoor Sliding Glass Wall System



# Slider Next



# Slider Next

## LET THE SUN IN & KEEP THE WIND AND RAIN OUT

- **SELECT A SYSTEM TO SUIT YOUR HOME**

Get the system that suits your needs. For amazing uninterrupted panoramic views you can select our All Glass option. If you want a quieter, more isolated installation then you can choose our All Isolation option. Available in 2, 3, or 5 track versions to suit your installation.

- **AMAZING ENGINEERING**

Due to the robust, quality design of the system, maximum installation width of 12metres, and maximum height of 2600mm can be achieved. Maximum glass panel width of 1500mm is possible with height of 2200mm, while still allowing comfortable opening & closing.

- **TESTED & APPROVED**

Slider Next is tested and approved relating to water, air and wind permeability as well as impact resistance by the German PfB Technical Institute. All Slider Next options are manufactured for use with 10mm tempered safety glass. Anti-lift stoppers are installed in the top track to ensure the panel can not be accidentally removed.



### ALL GLASS

amazing uninterrupted panoramic views

- **TROUBLE-FREE ASSEMBLY & INSTALLATION**

Simply take the measurements of your opening and we will supply a ready to assemble & install kit, precision cut & processed. With our vertical frame profiles, up to 20mm adjustment is possible to cover out of plumb discrepancies.



### ALL ISOLATION

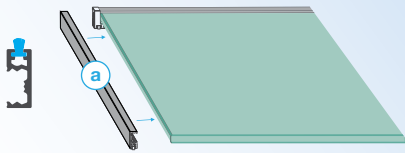
more isolated installation

- **EASY CLEANING**

No spot can hide from you, even in a 19 mm glass overlap. Full access to cleaning is now possible with fully reachable panels by separately sliding them.

# All Glass

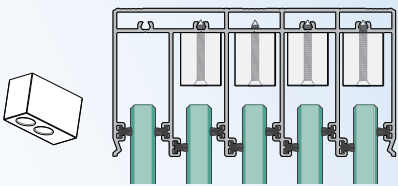
1



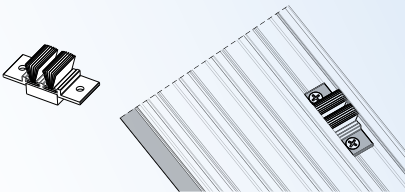
**a** **G.SN.15162**  
Slider Next All Glass Brush Profile

**G.SN.8505308**  
Slider Next Brush 048x0800

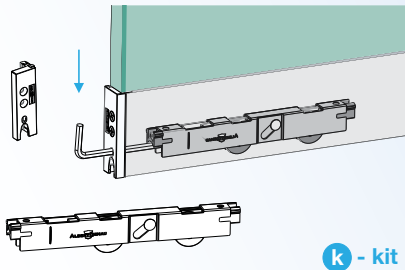
2



3



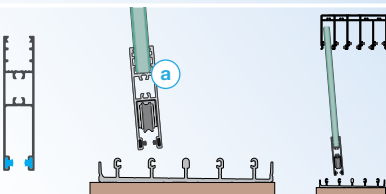
4



**k** **G.SN.05481**  
Slider Next All Glass Sliding Kit - Right  
or

**k** **G.SN.05482**  
Slider Next All Glass Sliding Kit - Left

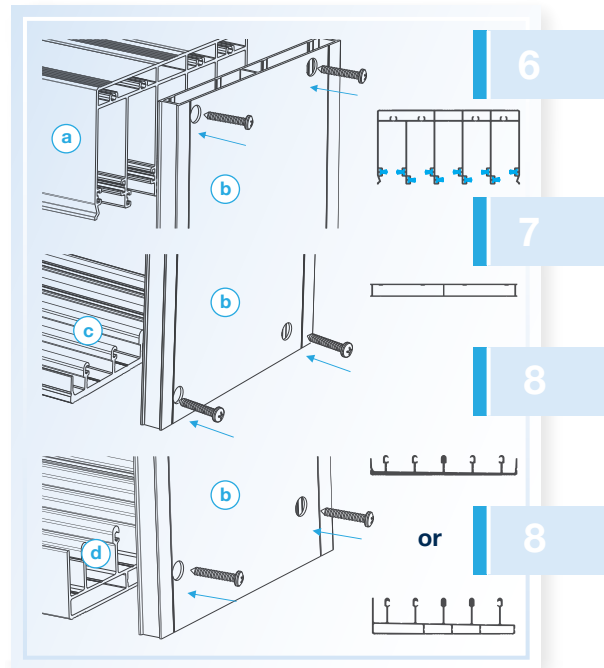
5



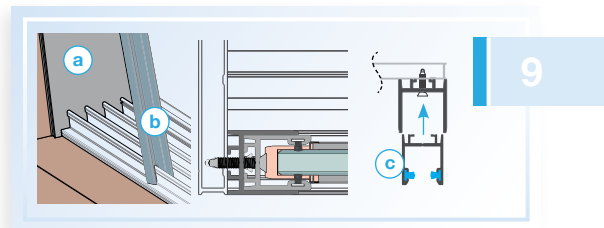
**a** **G.SN.15159**  
Slider Next Glass Runner Profile

**G.SN.8505310**  
Slider Next Brush 048x0450

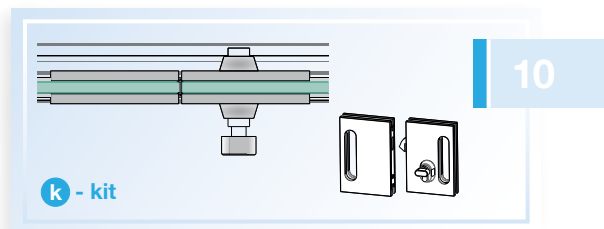




- a** **G.SN.15158**  
Slider Next All Glass Top Profile - 5 Rail
- b** **G.SN.8505313**  
Slider Next Brush 048x0550
- b** **G.SN.15083**  
Slider Next Side Profile
- c** **G.SN.15176**  
Slider Next Flat Threshold - 5 Rails
- d** **G.SN.15157**  
Slider Next Standard Threshold Profile - 5 Rail



- a** **G.SN.15083**  
Slider Next Side Profile
- b** **G.SN.15160**  
Slider Next Horizontal Adjustment Profile
- c** **G.SN.15161**  
Slider Next Striker / Wall Profile
- b** **G.SN.8505310**  
Slider Next Brush 048x0450

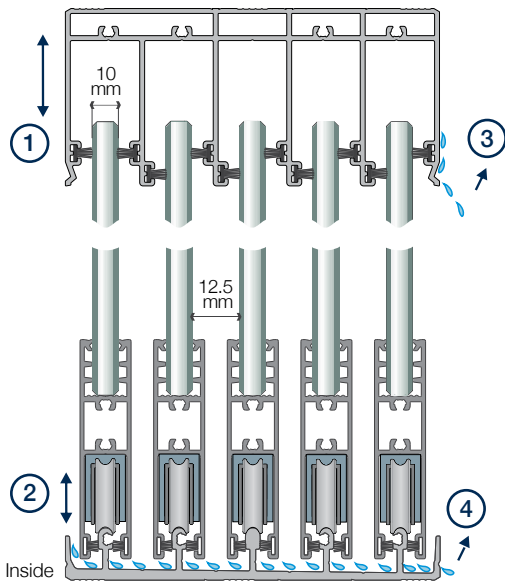


- k** **G.SN.05492**  
Slider Next Lock Glass To Glass Set

# All Glass

FLAT THRESHOLD

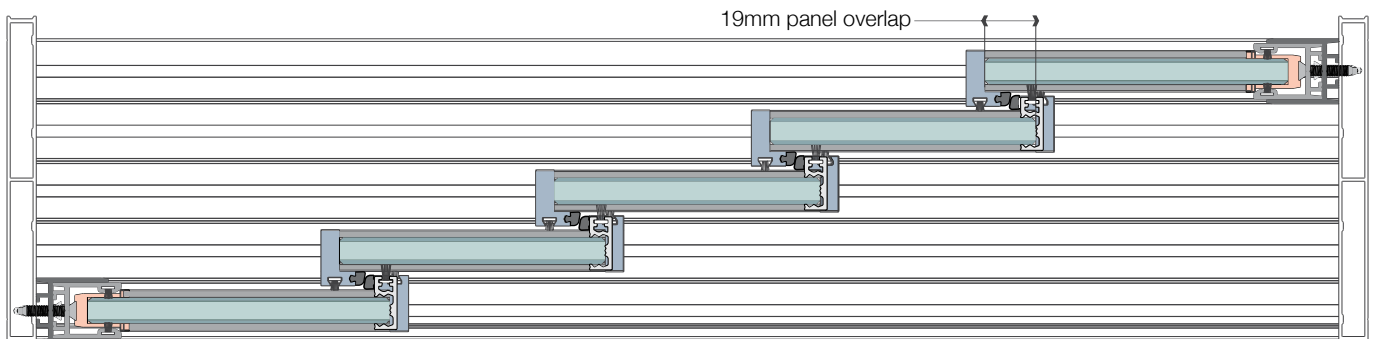
GLASS 10 mm



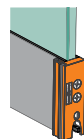
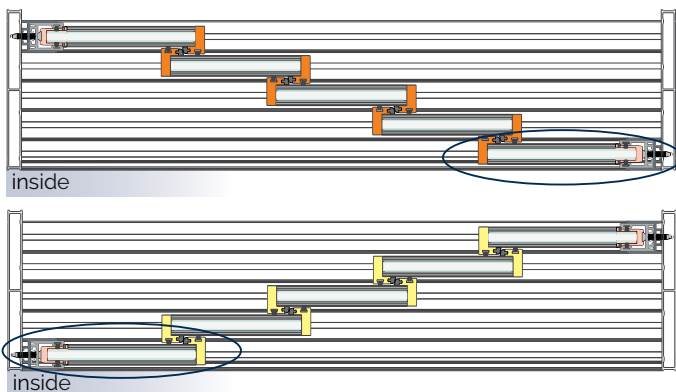
- Enjoy uninterrupted views with an All Glass installation.
- A 19mm overlap creates a snug enclosure but if you want to increase the level of comfort you can simply retrofit the optional brush profile.
- This installation uses the flat type threshold of 16mm which allows for easier access and cleaner lines.
- Simply take the measurements of the opening and we will provide you with a ready to assemble & install kit.
- Glass sizes will be supplied specific for your opening.

1. Up to 25mm - Height Compensation
2. Up to 5mm - Height Adjustment with Rollers
3. Water Path
4. Water Drainage

## ALL GLASS SLIDER NEXT 10 FAMILY - in Detail



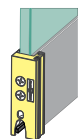
## SMART CAP - Configuration



If the far right panel is inside then the right-side Smart Cap must be used!

**G.SN.05481**

**All Glass Sliding Kit with Right Smart Cap**



If the far left panel is inside then the left-side Smart Cap must be used!

**G.SN.05482**

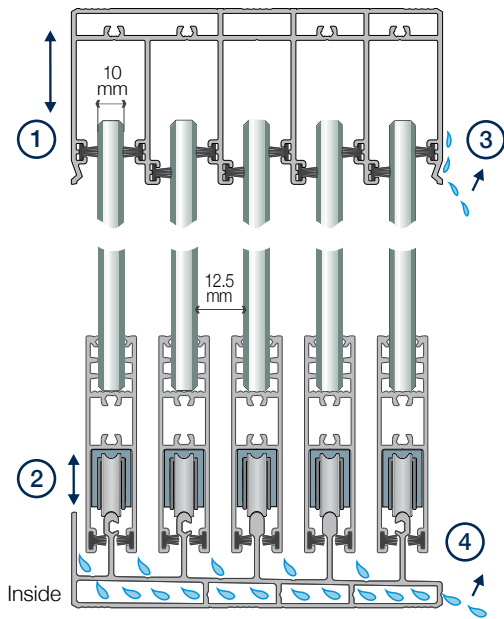
**All Glass Sliding Kit with Left Smart Cap**

The **Smart Cap** (Right-side/Left-side) is chosen based on the installation of panels. For **All Glass** configurations one of them has to be chosen. For **All Isolation** types both caps (Right&Left) are used.

# All Glass

STANDARD THRESHOLD

GLASS 10 mm



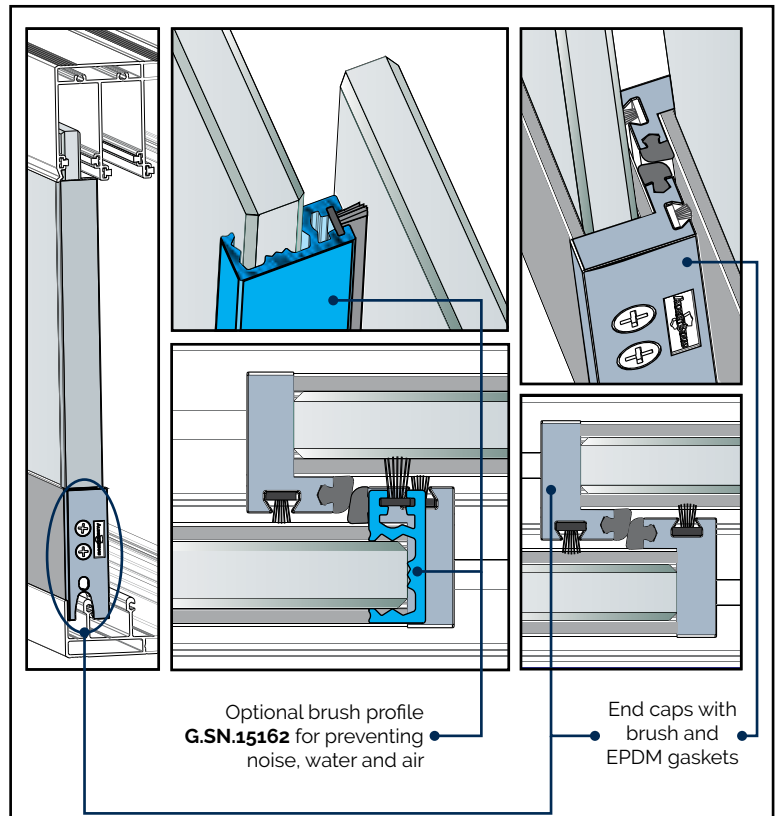
1. Up to 25mm - Height Compensation
2. Up to 5mm - Height Adjustment with Rollers
3. Water Path
4. Water Drainage

- Enjoy uninterrupted views with an All Glass installation.
- A 19mm overlap creates a snug enclosure but if you want to increase the level of comfort you can simply retrofit the optional brush profile.
- This installation uses the standard height threshold of 29.5mm which increases water tightness.
- Simply take the measurements of the opening and we will provide you with a ready to assemble & install kit.
- Glass sizes will be supplied specific for your opening.



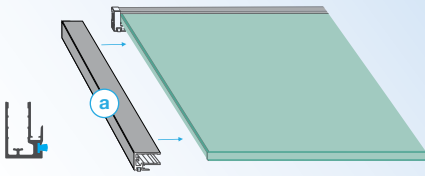
## ALL GLASS SLIDER NEXT 10 FAMILY

- in Detail



# All Isolation

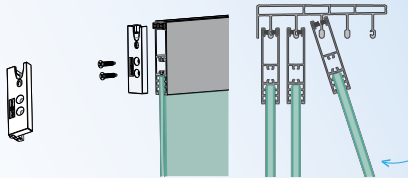
1



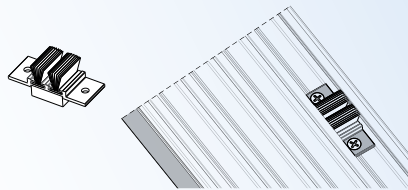
**a** **G.SN.15183**  
Slider Next All Isolation Brush Profile

**h** **G.SN.8505313**  
Slider Next Brush 048x0550

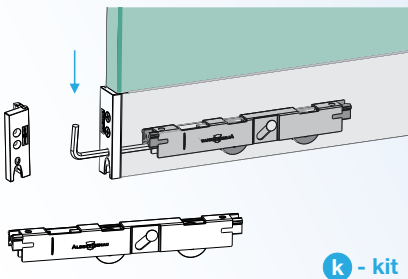
2



3

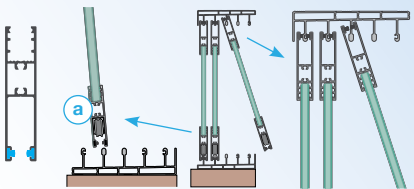


4



**k** **G.SN.05483**  
Slider Next All Isolation Sliding Panel Kit

5

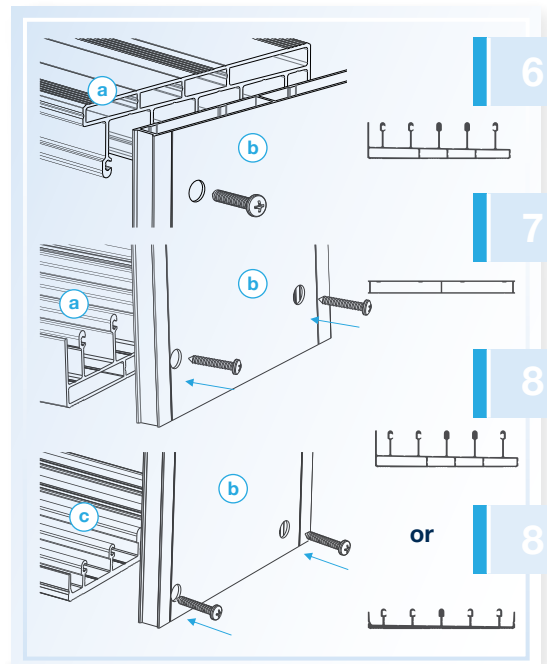


**a** **G.SN.15159**  
Slider Next Glass Runner Profile

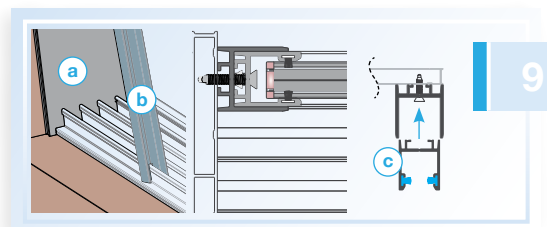
**h** **G.SN.8505310**  
Slider Next Brush 048x0450



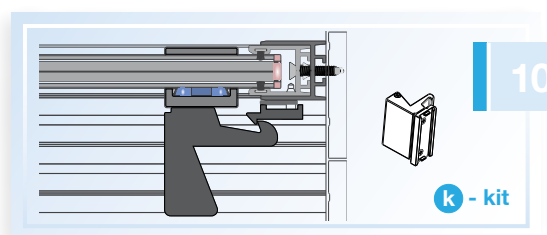




- a** **G.SN.15157**  
Slider Next Standard Threshold Profile - 5 Rail
- b** **G.SN.15083**  
Slider Next Side Profile
- c** **G.SN.15176**  
Slider Next Flat Threshold - 5 Rails



- a** **G.SN.15083**  
Slider Next Side Profile
- b** **G.SN.15160**  
Slider Next Horizontal Adjustment Profile
- c** **G.SN.15161**  
Slider Next Striker / Wall Profile
- d** **G.SN.8505310**  
Slider Next Brush 048x0450

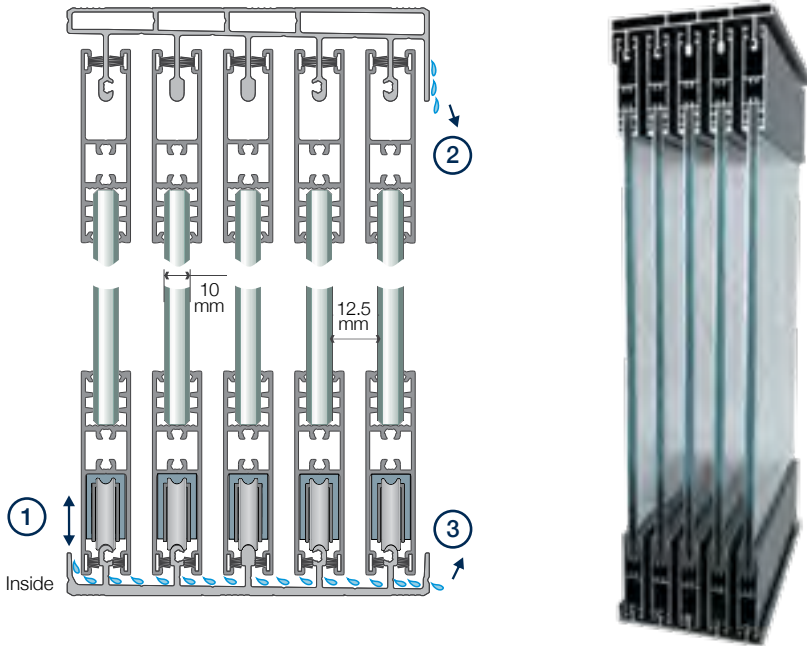


- k** **G.SN.05484**  
Slider Next Smart Lock

# All Isolation

FLAT THRESHOLD

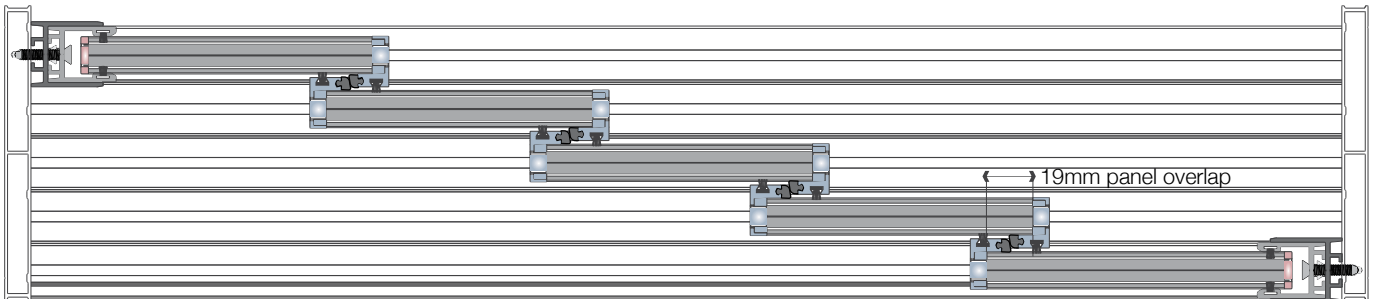
GLASS 10 mm



- All Isolation increases the comfort level of your installation with its interlocking vertical brush profiles on the glass panels.
- This installation uses the flat type threshold of 16mm which allows for easier access and cleaner lines.
- Simply take the measurements of the opening and we will provide you with a ready to assemble & install kit.
- Glass sizes will be supplied specific for your opening.

1. Up to 5mm - Height Compensation
2. Water Path
3. Water Drainage

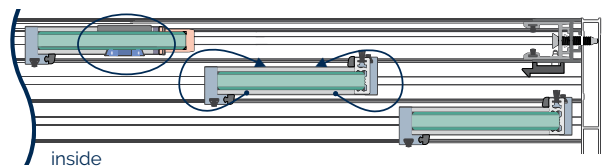
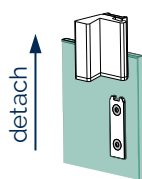
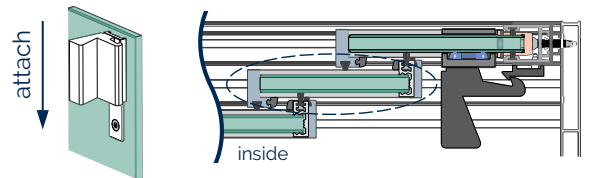
## ALL ISOLATION SLIDER NEXT 10 FAMILY - in Detail



## Smart Lock and Cleaning

By using **Smart Lock**, it is possible to attach and detach the lock easily so that the panels can slide smoothly over each other without any interacting. Therefore, all panels can be moved individually!

This brings a solution for balcony usage, where customer can clean **whole panel area** from the **inside of the balcony**.



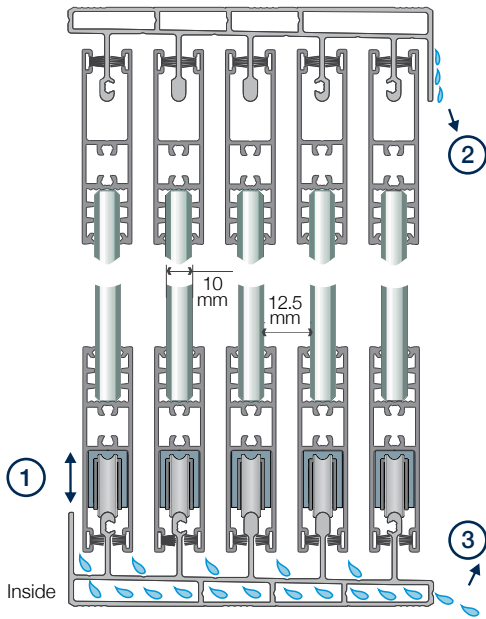
Smart Lock	Attach	Detach
Panels can move freely	✗	✓
Full Access cleaning	✗	✓

Smart Lock for All Glass & All Isolation

# All Isolation

STANDARD THRESHOLD

GLASS 10 mm

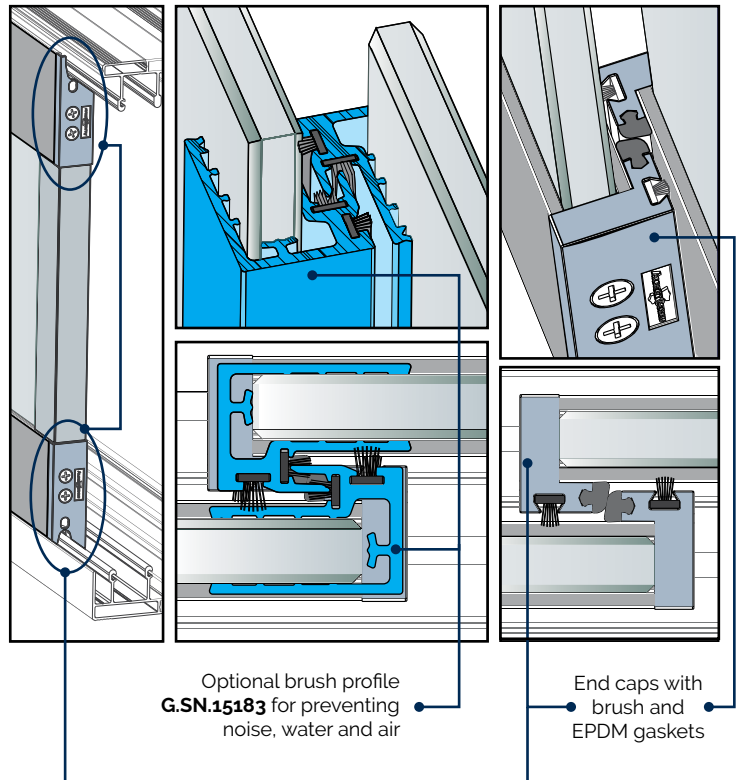


- All Isolation increases the comfort level of your installation with its interlocking vertical brush profiles on the glass panels.
- This installation uses the standard height threshold of 29,5mm which increases water tightness.
- Simply take the measurements of the opening and we will provide you with a ready to assemble & install kit.
- Glass sizes will be supplied specific for your opening.

1. Up to 5mm - Height Adjustment with Rollers
2. Water Path
3. Water Drainage

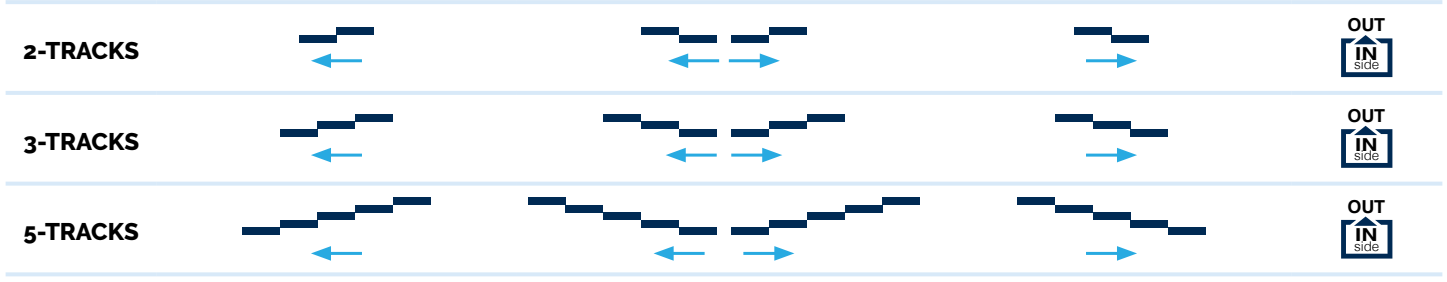
## ALL ISOLATION SLIDER NEXT 10 FAMILY

- in Detail



# Slider Next

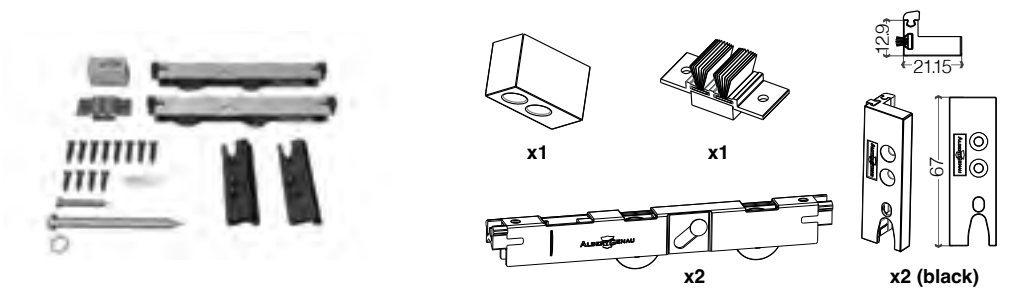
CONFIGURATIONS



## The Parts & Profiles That Make it All Possible

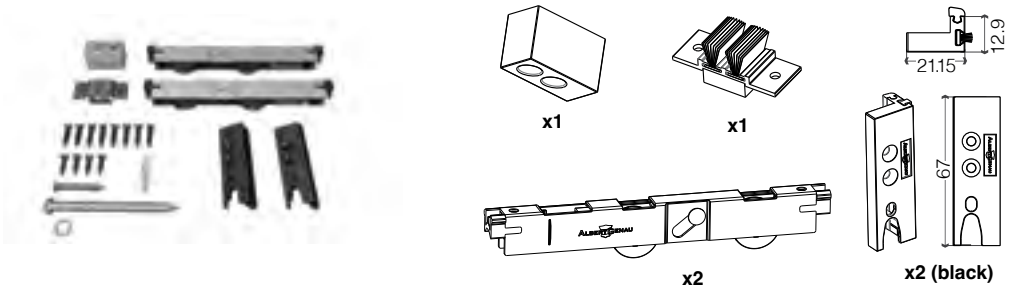
Slider Next All Glass Sliding Kit - Right

G.SN.05481



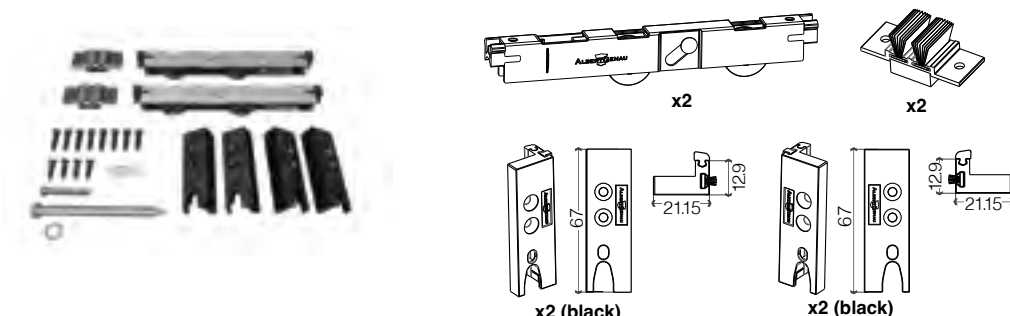
Slider Next All Glass Sliding Kit - Left

G.SN.05482



Slider Next All Isolation Sliding Panel Kit

G.SN.05483



# Slider Next

THE PROFILES & PARTS

## Slider Next All Glass Top Profile -

G.SN.15195

2 Rails

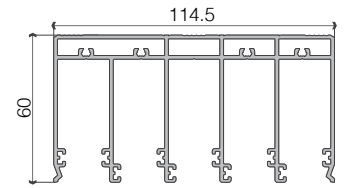
G.SN.15192

3 Rails



G.SN.15158

5 Rails



## Slider Next Flat Threshold Profile -

G.SN.15197

2 Rails

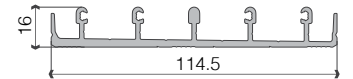
G.SN.15194

3 Rails



G.SN.15176

5 Rails



## Slider Next Standard Threshold Profile -

G.SN.15196

2 Rails

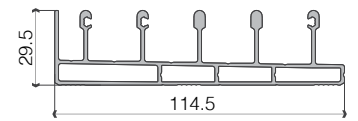
G.SN.15193

3 Rails



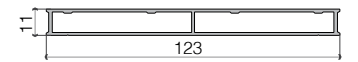
G.SN.15157

5 Rails



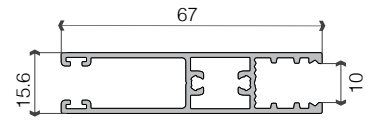
## Slider Next Side Profile

G.SN.15083



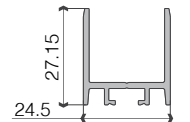
## Slider Next Runner Profile - 10mm Glass

G.SN.15159



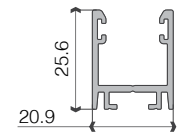
## Slider Next Horizontal Adjustment Profile

G.SN.15160



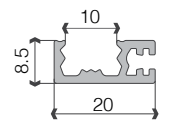
## Slider Next Striker/Wall Profile

G.SN.15161



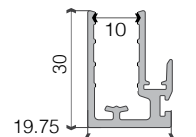
## Slider Next All Glass Brush Profile - 10mm Glass

G.SN.15162



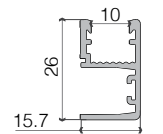
## Slider Next All Isolation Brush Profile - 10mm Glass

G.SN.15183



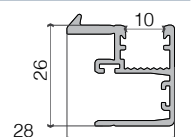
## Slider Next Glass to Glass 90° Profile - 10mm Glass

G.SN.15182



## Slider Next Glass to Glass 90° Profile for Smart Lock - 10mm Glass

G.SN.15181



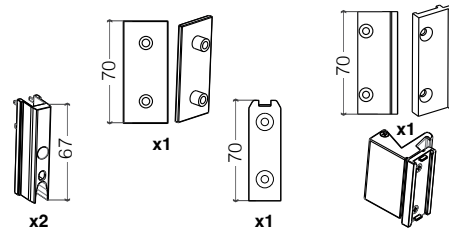
# Slider Next

THE PROFILES & PARTS



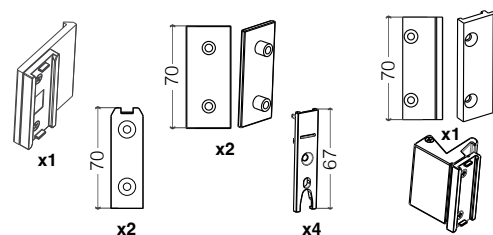
## Slider Next Smart Lock

G.SN.05484



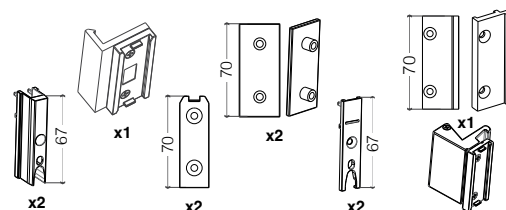
## Slider Next Smart Lock - Centre

G.SN.05485



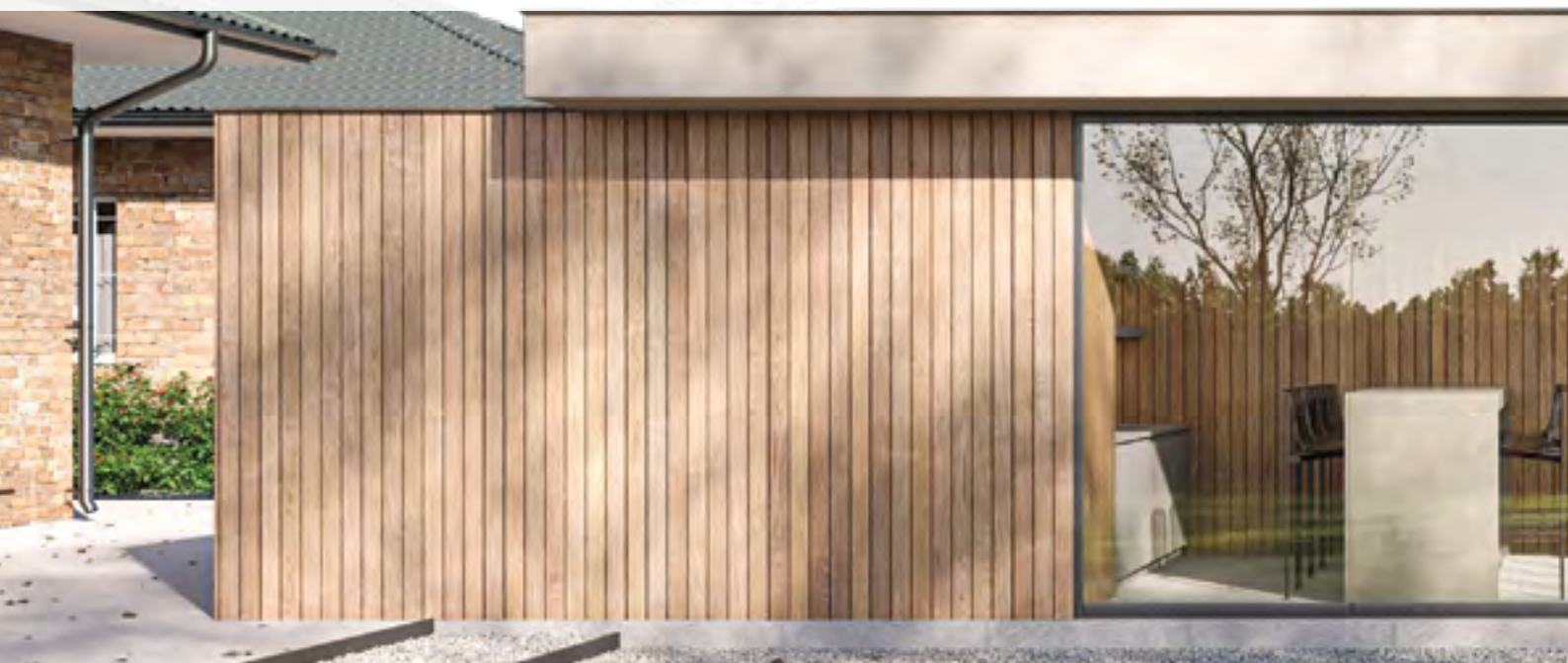
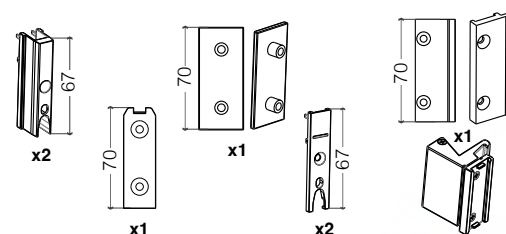
## Slider Next Smart Lock - 90°

G.SN.05486



## Slider Next Smart Lock - 90° Profile for Smart Lock

G.SN.05487



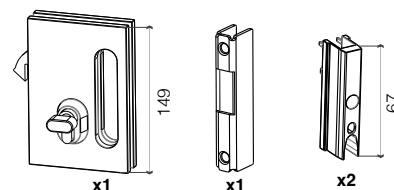
# Slider Next

THE PROFILES & PARTS



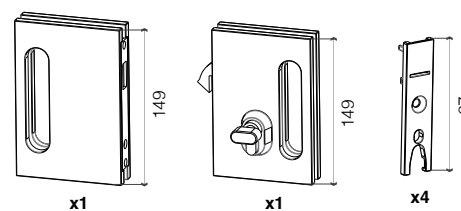
Slider Next Lock  
Glass To Wall Set  
*Stainless Steel*

G.SN.05491



Slider Next Lock  
Glass To Glass Set  
*Stainless Steel*

G.SN.05492



Slider Next Brush

G.SN.8505310

048 x 0450

G.SN.8505313

048 x 0550

G.SN.8505308

048 x 0800





**United Kingdom**

Telephone: 0800 975 3436

Email: [sales@glassparts.co.uk](mailto:sales@glassparts.co.uk)

[www.glassparts.co.uk](http://www.glassparts.co.uk)

**Republic of Ireland**

Telephone: +353 505 45125

Email: [sales@glassparts.ie](mailto:sales@glassparts.ie)

[www.glassparts.ie](http://www.glassparts.ie)

All images portrayed in this catalogue should not be reproduced without specific written permission from GlassParts UK Ltd. Images, designs and finishes are for illustrative purposes only and may differ when manufactured. We reserve the right to amend or withdraw any products within this catalogue without prior notice. Finishes shown in this catalogue should be used for guidance only. Copyright GlassParts UK Ltd © 2023