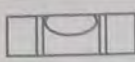
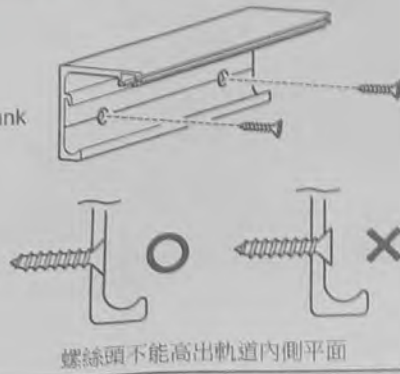
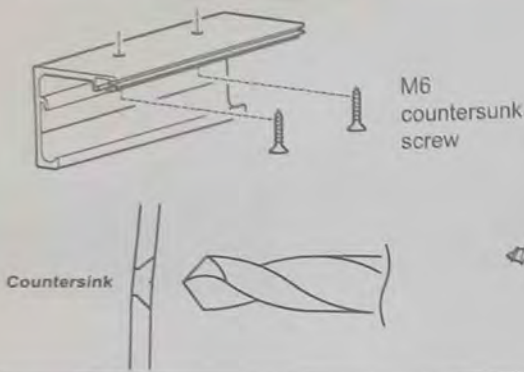


GCC BRISA-180/180H system installation manual

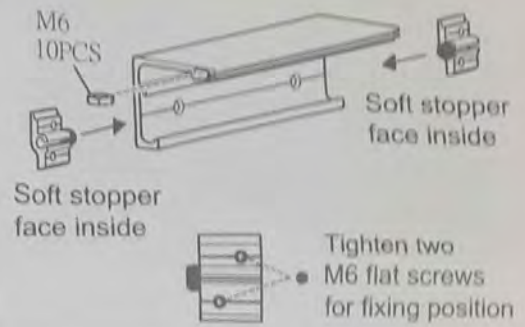
1 Fix top track to the top construction (make sure the top track is level)



Fix top track to the side wall



2 Slide the stopper and the nuts into the top track, the soft material face inside.



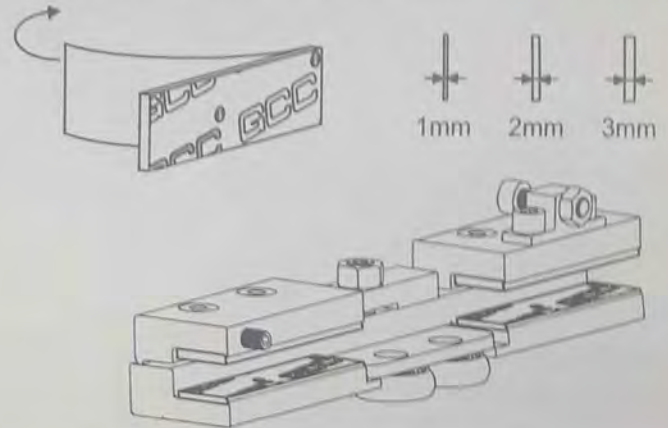
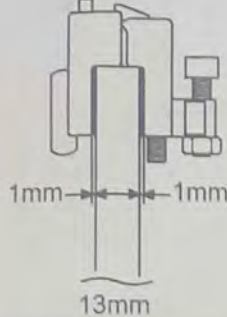
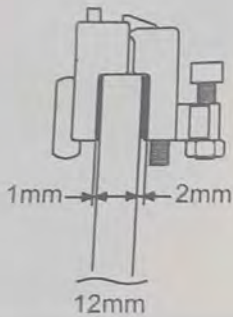
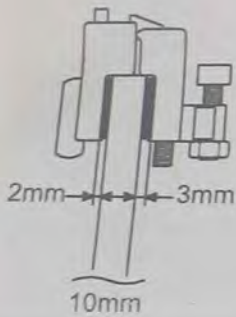
3 Please refer to the instruction below to stick the gaskets to the glass clamp.

* Make sure the glass clamp surface is clean and remove the protect film of the gaskets and stick it to the clamp.

2PCS x 2mm
2PCS x 3mm

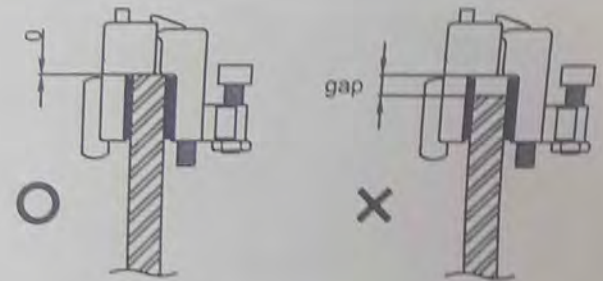
2PCS x 1mm
2PCS x 2mm

4PCS x 1mm

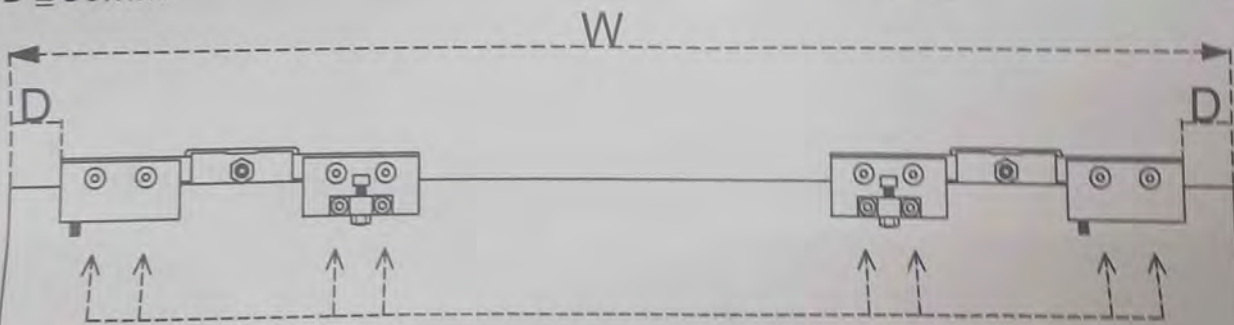


4 Install the glass clamp to the glass panel

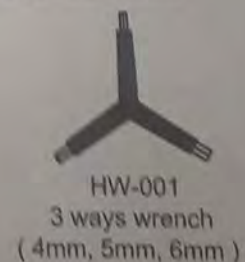
- * Please do clean the glass surface before you install the glass clamp.
- * Make sure there is no gap between the glass edge to the glass clamp after you tighten it.



W = door width
D ≥ 50mm

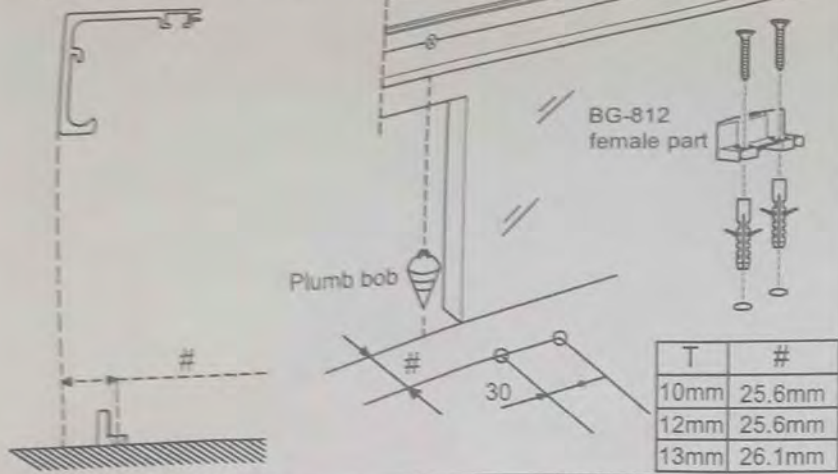


- Tighten 8 hex screws levelly with 15 Nm force.
(Use GCC HW-001 3 ways wrench recommended)

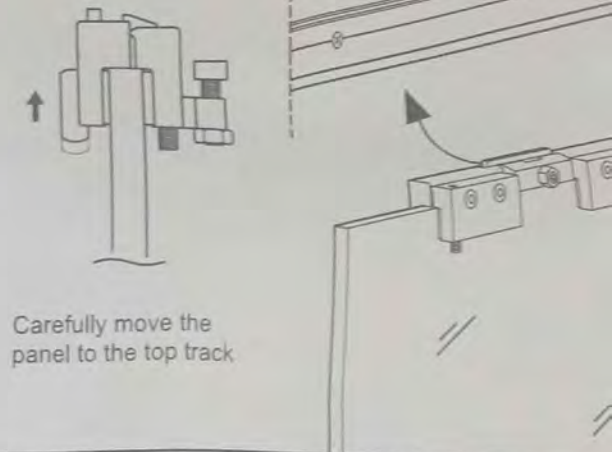


● Glass width min. is **500mm** with both ends soft stop function.

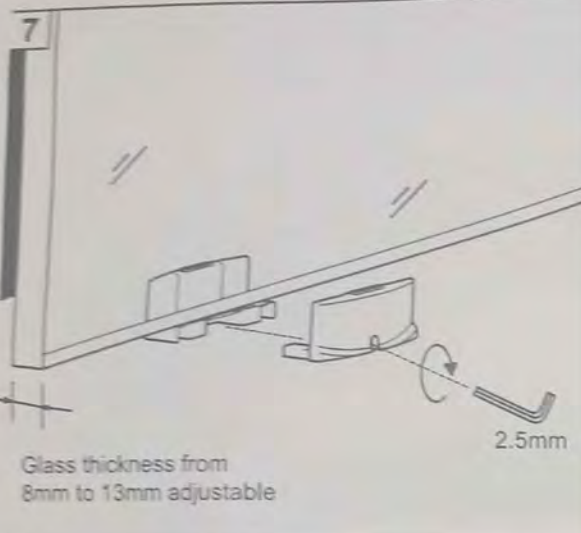
5 BG-812 bottom guide fixing
(fix female part to the floor first)



6 Please make sure the roller is at a high position to install the panel to the top track

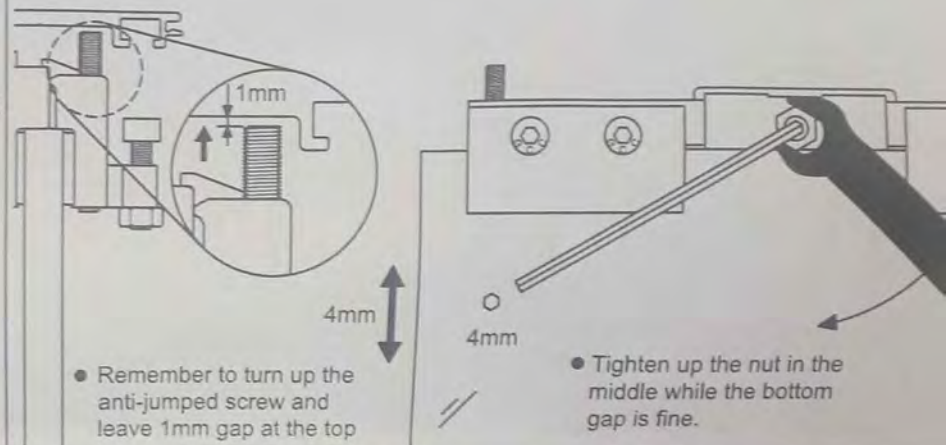


Carefully move the panel to the top track



Glass thickness from 8mm to 13mm adjustable

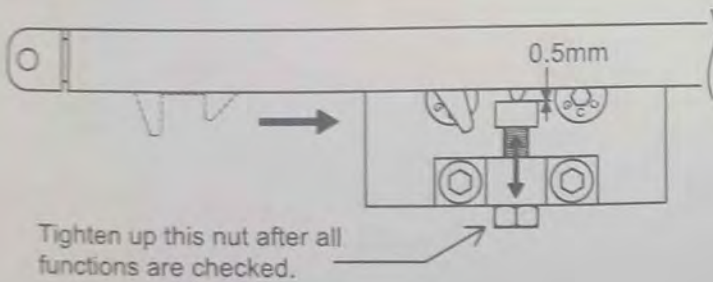
8 Adjust the bottom gap if necessary through the screw in the middle, and tighten up the nut in the center front to avoid the height changing.



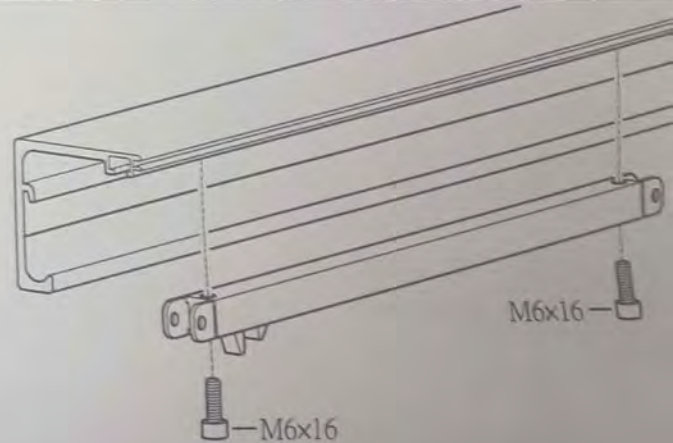
Remember to turn up the anti-jumped screw and leave 1mm gap at the top

Tighten up the nut in the middle while the bottom gap is fine.

9 Position the both ends damper and adjust the active screw height. When the height is finely adjusted, please tighten up the bottom nuts.



Tighten up this nut after all functions are checked.



10 Fix both ends caps to the track



Use rubber hammer to assist

11 Put the aluminum cover onto the track (you may hear a "click" sound) And make sure every screw is tightened before you leave

