

GLASS CANOPIES

Our canopies are made of 316 (A4) stainless steel. Without glass.

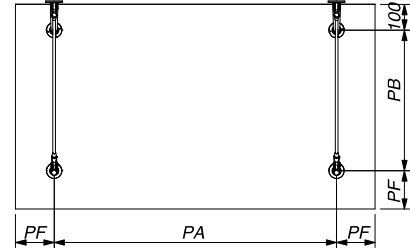
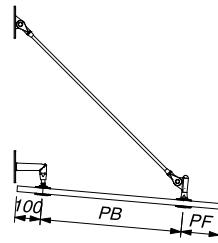
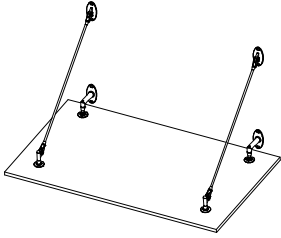


4 points



6 points

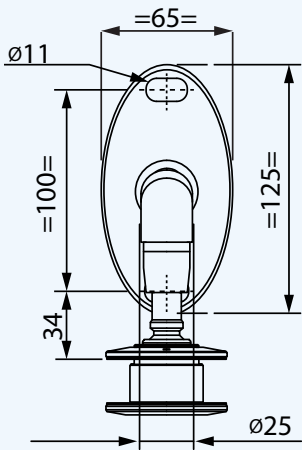
DIMENSIONS



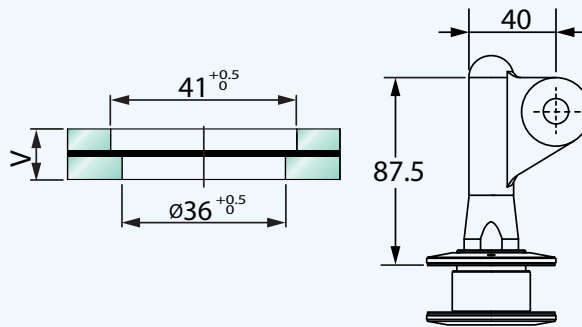
	Glass Thickness - Toughened Laminated				Maximum Canopy size
	13.52	17.52	21.52	25.52	
PA Max for 4 points	1000	1300	1600	1900	2700 x 2000
PA Max for 6 points	800	1000	1100	1300	
PB Max for 4 or 6 points	700	1100	1300	1500	3400 x 2000
PF Max	200	250	300	400	
Maximum projection	1000	1450	1700	2000	

FITTINGS

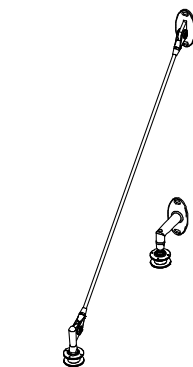
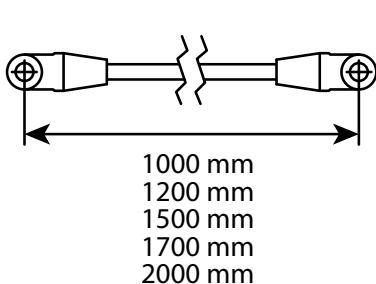
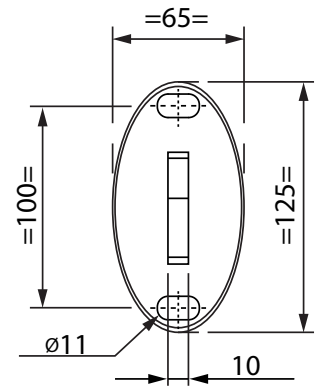
K.CAN.ARCADE.BB



K.CAN.ARCADE.FB



K.CAN.ARCADE.TB



$B = 100 + PB + PF$

	Reference for ordering	
	Glass Thickness - 13.52mm to 21.52mm	Glass Thickness 25.52mm
B = 800mm < 1000mm	K.CAN.ARCADE.1000	
B = 1000mm < 1200mm	K.CAN.ARCADE.1200	
B = 1100mm < 1400mm	K.CAN.ARCADE.1500	
B = 1300mm < 1600mm	K.CAN.ARCADE.1700	
B = 1400mm < 2000mm	K.CAN.ARCADE.2000	