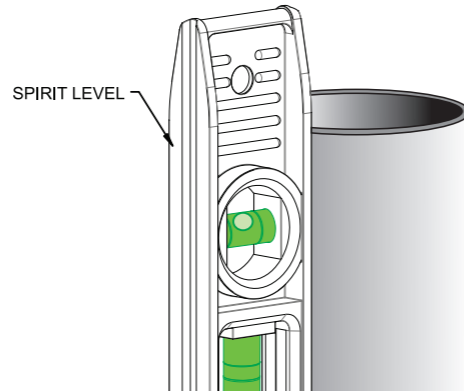


1. Remove the two Polaris Soft Close Hinges from the box and all the screws.

(BE CAREFULL WHEN HANDLING, AS THE HINGES HAVE STRONG SPRINGS WHICH COULD PINCH FINGERS)

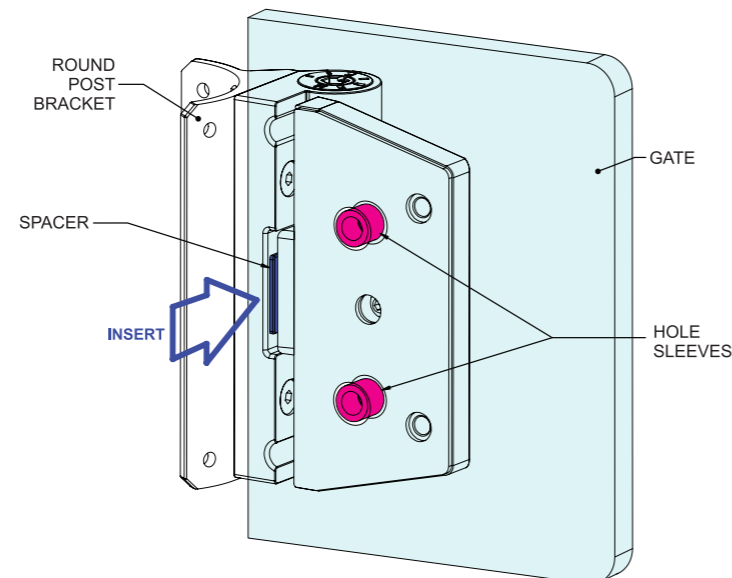
Hinges are packaged to accommodate 8 & 10mm glass gates

2. Your glass panels should be plumb and level from the original installation. This affects the ultimate performance of hinges.



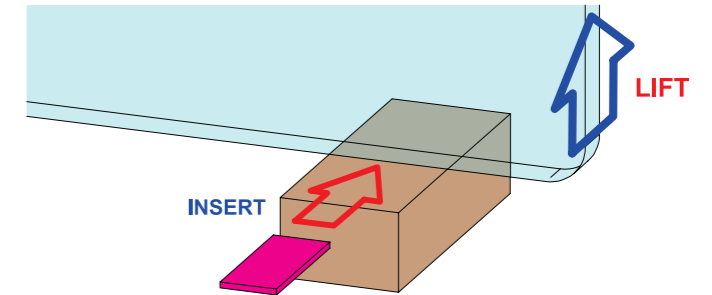
3. Best to support the glass gates weight underneath with chocks/spacer, prior to loosening the old hinges. When installing we recommend you remove and replace one hinge at a time to minimise misalignments

4. Insert a 1mm thick spacer between each hinges shocks and casting blocks temporarily for installation (This ensures the gates latch end closes ALL the way when the spacer is removed at the end) Place the hinges into the glass' existing holes with the hole sleeves provided to protect the glass. Screw on the fascia plate with its gasket in place (The screw heads on the inside of the fence). The unused fastener holes in the hinges are for other panel types and should be plugged with the provided hole caps (click in with thumb).



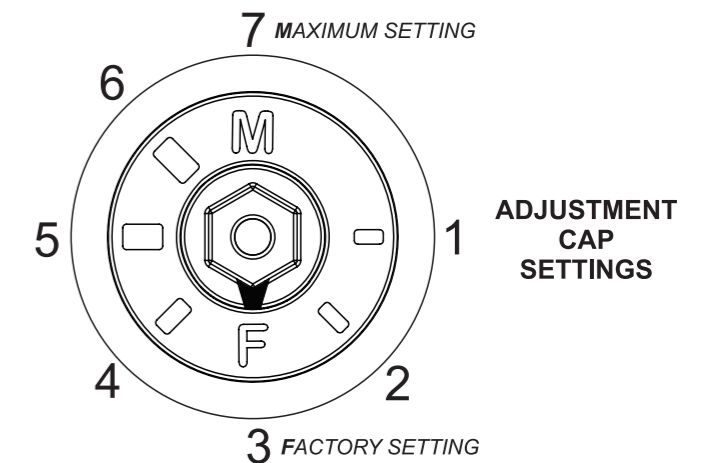
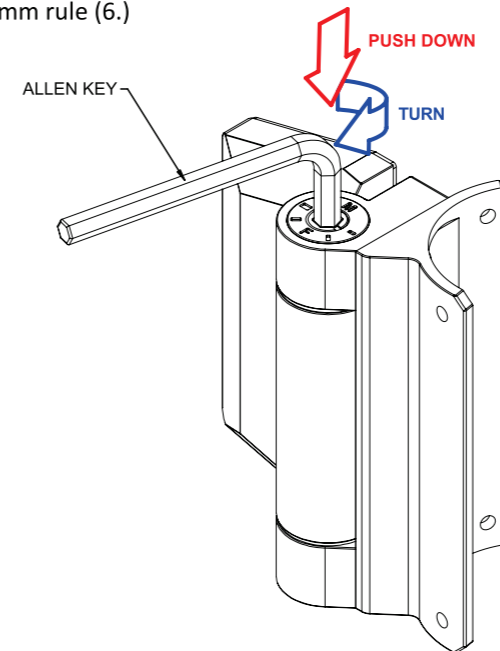
5. Sometimes the posts previous mounting holes align and can be reused if still stable. Check by positioning the hinges and Gate onto the round post. Mark and drill the mounting hole followed by fasteners.

6. Gate height adjustment can be accomplished by using some smaller spacers/packers. An extra 2mm higher at the latch end, avoids the gate droop from the glass weight. Loosen the fascia plates, adjust and re-tighten.



7. The whole weight of the gate is on the post !
Secure the fasteners well

8. If the gate level needs to be re-adjusted, ensure both hinges are loosened on the gate first before adjusting. Set the gate a little higher than the hinge panel with additional spacers/packers, then re-tighten hinges (tighten well). Remember 2mm rule (6.)



9. The gates closing speed/strength can be adjusted by inserting an Allen key into the top slot. Gently push down whilst rotating the adjustment end cap clockwise to the next setting (this increases the tension). Should you want to Dis-engage the mechanism or lower the tension setting, push down whilst **firmly** holding onto the Allen key (2 handed control). The spring will push rotation and you can continue anti clockwise, but still keep downward pressure on the cap. Lifting the Allen key out of the endcap engages tension and holds your chosen setting. The above numbering diagram indicates spring tension strengths.

10. Test self-closing action and re-adjust if need be by repeating the above step (9.) It is important that the difference between the hinges tension settings are not greater than 1 setting apart (This ensures both hinges are sharing the work load and extends the life of the spring)

11. **All screws should be tightened with good quality Allen Keys for maximum tension**

TROUBLE SHOOTING

- A. **Door not self-closing:** ensure all panels are plumb (see 3.), ensure speed adjustment is NOT disengaged (see 10.), ensure hinges are fitted square and parallel (see 7.)
- B. **Door is not closing:** ensure shock absorbers are not interfering with closing action, Adjust speed adjustment cap (see 10.)
- C. **Door is slamming:** check that all shock absorbers are working, Adjust speed adjustment cap (see 10.)
- D. **Door closes to slow:** Ensure all panels are plumb (see 3.). Adjust speed adjustment end cap (see 10.)
- E. **Door is drooping:** identify where the "movement" is when lifting the door. Is the gap between the wall consistent with the gate from top to bottom? Ensure the hinges are holding the glass tight (see 8&9.)