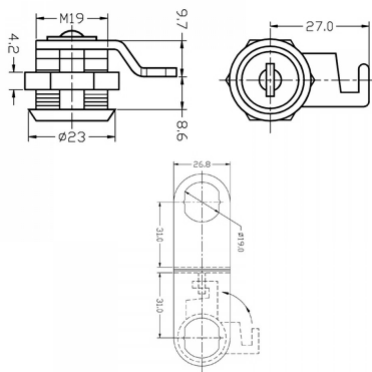


Double Door Lock Gold (Model: I0006)



Cabinet swing glass door lock for double doors for glass thickness 5-6mm. Accessories:

- left door(only decoration,no function)
- 1 decorative cylinder
- 1 front plate
- 1 plastic washer
- Maintenance free
- 1 hexagon nut 18mm

- right door
- 2 keys w/plastic cover
- 1 cylinder
- 1 front plate
- 1 plastic washer
- 1 hexagon nut 19mm
- 1 offset hook cam
- 2 washers
- 1 m4 x 6 screw

Attributes:

Product Code: I0006

Unit Of Sale: Each