

Bi-Folding 180 Degree - Inward Glass To Glass Hinge - PC (Model: JHI182PC)

Door swings 180° in only. Suitable for 6mm to 8mm thick toughened glass.

No cut out needed, only drill holes. With the pivot and closing mechanism on one side it allows the door to fold back in line with the carrying panel. Very useful door hinge in shower installations where space for a swinging door is limited.

- Max weight of 25kg using 2 hinges and 37kg using 3 hinges.

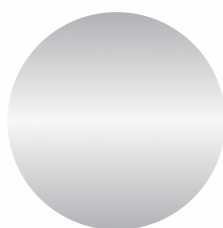
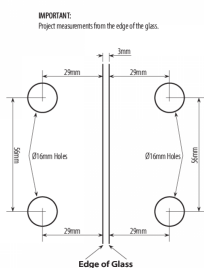
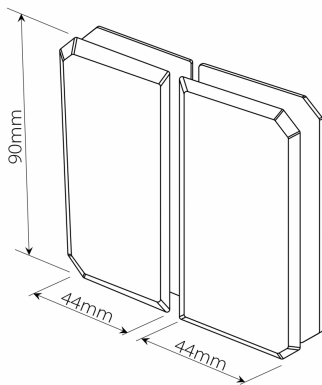
- Max width of 787mm using 2 shower door hinges and 864mm using 3 hinges.



Attributes:

Product Code: JHI182PC

Unit Of Sale: Each



POLISHED CHROME FINISH