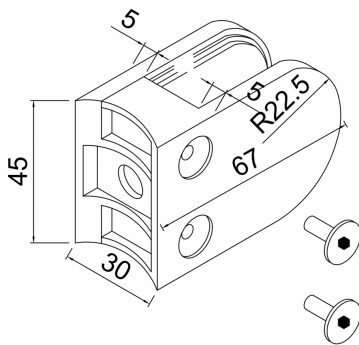


Glass Clamp - 63x45mm - 304SSS - Satin - 48mm Tube - 6-12mm (Model: K.GC.6345.304.048.S)



- A 63mm x 45mm D shaped clamp. Suitable for mounting to a 48mm diameter post.
- Used mainly indoors for stairs, glass balconies, counter dividers, retail glass displays and splash guards.
- Supplied with an optional anti-slip safety pin which allows you to drill the glass to ensure that it never slips downwards over time.
- These clamps are suitable for loads up to approximately 34kgs per four clamps.
- Available in [316 grade satin \(brushed\) stainless steel](#) and [316 grade polished stainless steel](#).



Attributes:

Product Code: K.GC.6345.304.048.S

Unit Of Sale: Each

