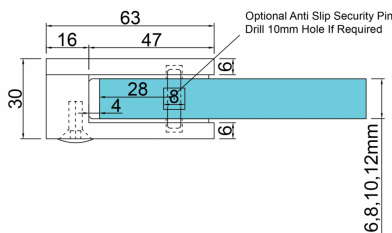
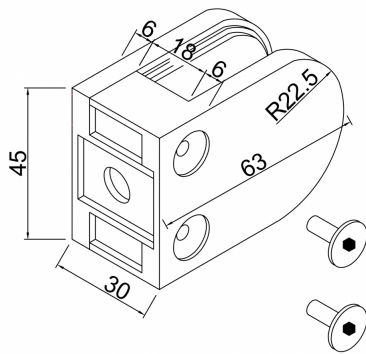


Glass Clamp - 63x45mm - 316PSS - Polished - Flat - 6-12mm ( Model: K.GC.6345.316.000.P )



- A 63mm x 45mm D shaped polished clamp. Suitable for mounting on a flat surface.
- For stairs, glass balconies, counter dividers, retail glass displays and splash guards.
- Supplied with an optional anti-slip safety pin which allows you to drill the glass to ensure that it never slips downwards over time.
- These clamps are suitable for glass panels weighing up to approximately 34kgs per four clamps.
- Also available in [304 grade satin \(brushed\) stainless steel](#) and [316 grade satin \(brushed\) stainless steel](#).

Attributes:

**Product Code:** K.GC.6345.316.000.P

**Unit Of Sale:** Each

