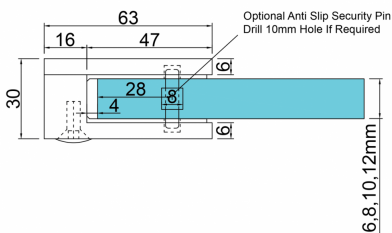
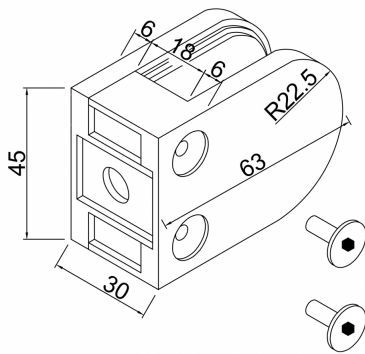


Glass Clamp - 63x45mm - Zinc - Antique Brass - Flat - 6-12mm (Model: K.GC.6345.ZN.000.AB)



- A 63mm x 45mm D shaped clamp.
- Suitable for mounting on a flat surface.
- For indoor use only on stairs, glass balconies, counter dividers, retail glass displays and splash guards.
- Supplied with an optional anti-slip safety pin which allows you to drill the glass to ensure that it never slips downwards over time.
- These clamps are suitable for loads up to approximately 34kgs per four clamps.
- Available in [Satin](#) and [Polished stainless steel type finishes also](#).

Attributes:

Product Code: K.GC.6345.ZN.000.AB

Unit Of Sale: Each

