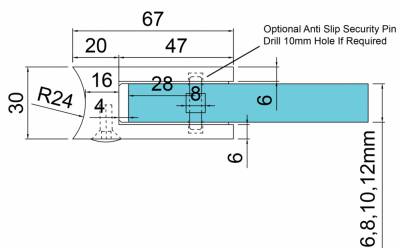
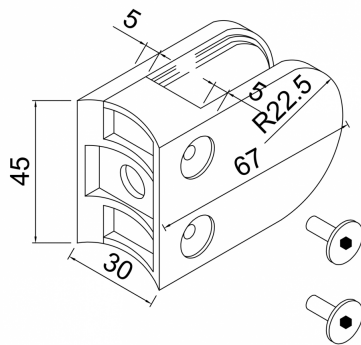


Glass Clamp - 63x45mm - Zinc- Polished - 48mm Tube - 6-12mm (Model: K.GC.6345.ZN.048.MP)



- A 63mm x 45mm D shaped clamp.
- Suitable for mounting on a 48mm diameter post.
- For indoor use only on stairs, glass balconies, counter dividers, retail glass displays and splash guards.
- Supplied with an optional anti-slip safety pin which allows you to drill the glass to ensure that it never slips downwards over time.
- These clamps are suitable for loads up to approximately 34kgs per four clamps.
- Also available in [Satin](#).

Attributes:

Product Code: K.GC.6345.ZN.048.MP

Unit Of Sale: Each

