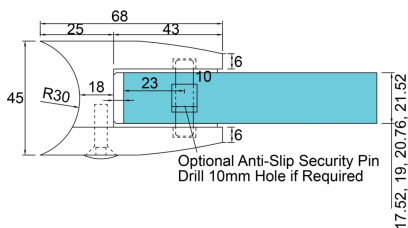
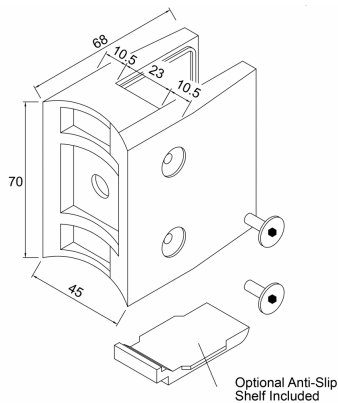
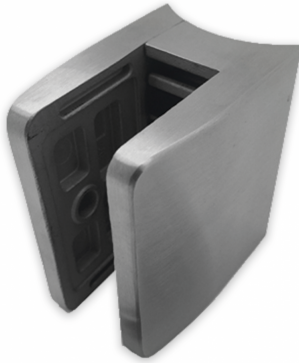


Glass Clamp-70x60mm-316SSS - Satin - 60mm Tube-17.52-21.52mm (Model: K.GC.7060.316.060.S)



- A 70mm x 60mm rectangular shaped clamp.
- Suitable for mounting on a 60mm diameter post.
- Used mainly for stairs, glass balconies, pharmaceutical plants, food prep areas and any area subject to moisture.
- Supplied with an optional anti slip safety shelf which ensures that it never allows the glass to slip downwards over time.
- To use these shelves the clamps must be mounted at the corners of the glass panels.
- This clamp is also supplied with the optional anti slip pin which is used when the glass is drilled.
- These clamps are suitable for loads up to approximately 50kgs per four clamps.

Attributes:

Product Code: K.GC.7060.316.060.S

Unit Of Sale: Each

