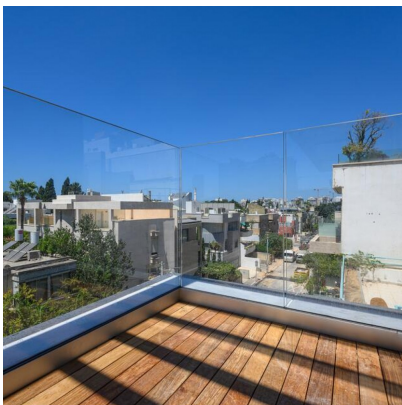
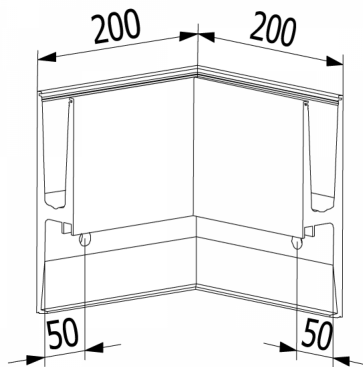


OnLevel 3011 Side Mount 90 Degree Internal Corner ( Model: K.ON.10.3011.300.11 )



- Suitable for line loads up to 3kN in accordance with BS6180.
- Using the Flex-Fit System, the installation can be done from one side only and glass adjusted accordingly.
- Pre drilled every 300mm and suitable for an M16 fixing.
- Supplied in plain anodised aluminium in 2.5 metre lengths.
- Non-stock item. Shipped direct from Manufacturer. Delivery usually 3-7 days.

Attributes:

**Product Code:** K.ON.10.3011.300.11

**Unit Of Sale:** Each