

45mm SkyForce Fixing Screw For PVC & Alu With Steel core (Model: K.SF.16.9005.604.81)

Self tapping screw 45mm long.

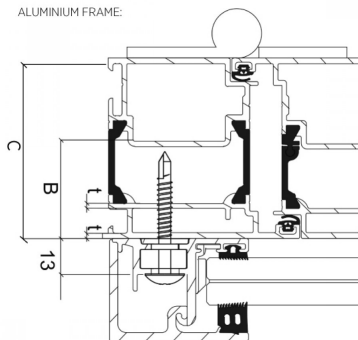


Attributes:

Product Code: K.SF.16.9005.604.81

Unit Of Sale: 12

ALUMINIUM FRAME:



PLASTIC FRAME:

