

75mm SkyForce Fixing Screw For PVC & Alu With Steel Core ( Model: K.SF.16.9005.607.81 )

Self tapping screw 75mm long.

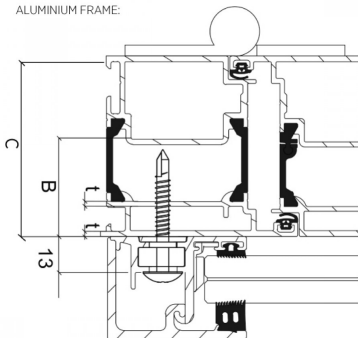


Attributes:

**Product Code:** K.SF.16.9005.607.81

**Unit Of Sale:** 12

ALUMINIUM FRAME:



PLASTIC FRAME:

