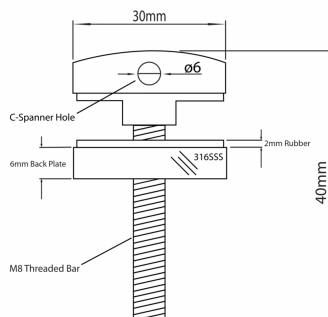


30mm Point Fixture-M8 x 40mm Bolt- Satin Finish 316SS ( Model: K105865116 )



- Stainless steel point fixture suitable for mounting glass panels both vertically and horizontally.
- Supplied as standard with an 40mm long threaded bar.
- Drill 16mm diameter hole in the glass.
- Optional extra M8 wood fixings at various lengths available also.



**Attributes:**

**Product Code:** K105865116

**Unit Of Sale:** Each