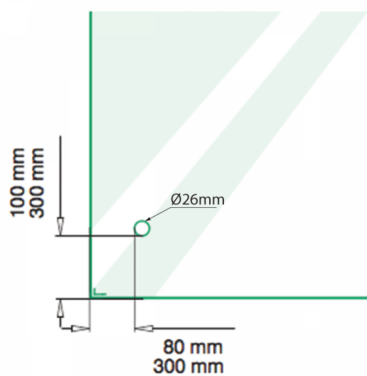


50mm Adjustable Point Fixture - 316SS - 30mm Standoff ( Model: K17154.316.30 )



- Stainless steel point fixture suitable for mounting glass panels both vertically and horizontally.
- Also available in heights of 40mm and 50mm.
- Suitable for glass thickness 12-25.52mm.
- 26mm Diameter hole required in glass.
- may also be known as Glass Adapters or Glass Rail Standoffs



Attributes:

**Product Code:** K17154.316.30

**Unit Of Sale:** Each

