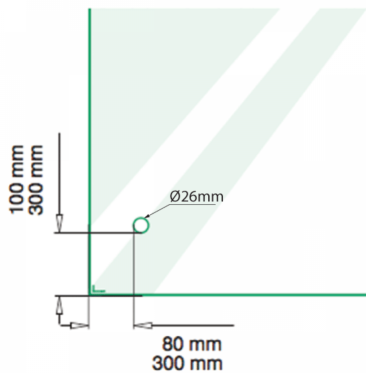


50mm Adjustable Point Fixture - 316SS - 40mm Standoff (Model: K17154.316.40)



- Stainless steel point fixture suitable for mounting glass panels both vertically and horizontally.
- Also available in heights of 30mm and 50mm.
- Suitable for glass thickness 8-25.52mm.
- may also be known as Glass Adapters or Glass Rail Standoffs
- 26mm Diameter hole required in glass.



Attributes:

Product Code: K17154.316.40

Unit Of Sale: Each



