

Square Type Glass Spigot - 10-21.52mm - With Cover ( Model: KCVSP003 )



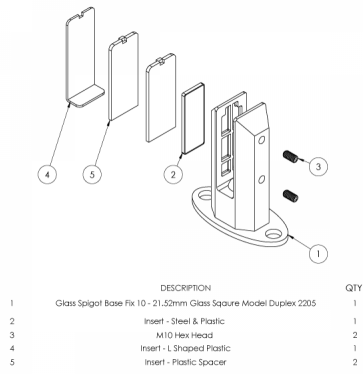
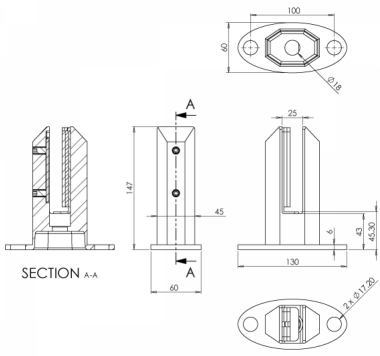
- Suitable for 10mm to 21.52mm thick glass.
- Manufactured using Duplex 2205 grade stainless steel for use in the most harsh outdoor environments.
- Glass alignment can be easily achieved by shimming the base of the spigot.
- No glass drilling is required.
- 2 Spigots per metre.
- Replacement Cover also available ([KCVSP004](#)).

**Attributes:**

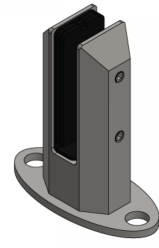
**Product Code:** KCVSP003

**Unit Of Sale:** EACH





	DESCRIPTION	QTY.
1	Glass Spigot Base Fix 10 - 21.52mm Glass Spigot Model Duplex 2205	1
2	Insert - Steel & Plastic	1
3	M10 Hex Head	2
4	Insert - L Shaped Plastic	1
5	Insert - Plastic Spacer	2



Type of Occupancy for Part of the Building	Examples of Specific Use	Horizontal Glazing System (Glass Level)	Budget System (Type)	Budget Round Spigots 1000 mm Panel			
				13 mm Toughened	16 mm Toughened	17.8 mm Laminated	19 mm Toughened
Domestic and residential buildings	All of areas with or without mechanical sun shading, with full insulating external glazing and edges of joints. (2) Other residential or houses of 2 or 3 storeys.	0.36	✓	✓	✓	✓	✓
Offices and work areas	(1) Light access areas and passages not subject to 500 lux levels. (2) Light protection with blinds or mechanical sun shading.	0.74	✓	X	✓	✓	✓
Offices and work areas not subject to 500 lux levels	(1) Light protection with blinds or mechanical sun shading buildings except residential areas. (2) Light access areas and passages not subject to 500 lux levels.	0.22	✓	✓	✓	✓	✓
Industrial buildings	(1) Areas not susceptible to contamination or where environmental conditions are not controlled. (2) Areas where full insulating external glazing is used to prevent heat energy losses.	0.36	✓	✓	✓	✓	✓
Areas where people might congregate	(1) Areas where full insulating external glazing is used to prevent heat energy losses. (2) Areas of the lower, middle or upper part.	0.74	✓	X	✓	✓	✓
Areas where people might congregate	(1) Areas where full insulating external glazing is used to prevent heat energy losses. (2) Areas of the lower, middle or upper part.	1.90	✓	X	X	X	X
Areas where people might congregate	(1) Areas where full insulating external glazing is used to prevent heat energy losses. (2) Areas of the lower, middle or upper part.	1.90	✓	X	X	X	X

Type of Occupancy for Part of the Building	Examples of Specific Use	Horizontal Glazing System (Glass Level)	Budget Round Spigots 1000 mm Panel	Budget Round Spigots 1000 mm Panel			
				13 mm Toughened	16 mm Toughened	17.8 mm Laminated	19 mm Toughened
Areas where people might congregate	(1) Areas where full insulating external glazing is used to prevent heat energy losses. (2) Areas of the lower, middle or upper part.	0.74	✓	X	✓	✓	✓
Areas where people might congregate	(1) Areas where full insulating external glazing is used to prevent heat energy losses. (2) Areas of the lower, middle or upper part.	1.90	✓	X	X	X	X
Areas where people might congregate	(1) Areas where full insulating external glazing is used to prevent heat energy losses. (2) Areas of the lower, middle or upper part.	0.30	X	X	X	X	X
Areas where people might congregate	(1) Areas where full insulating external glazing is used to prevent heat energy losses. (2) Areas of the lower, middle or upper part.	0.36	✓	✓	✓	✓	✓
Areas where people might congregate	(1) Areas where full insulating external glazing is used to prevent heat energy losses. (2) Areas of the lower, middle or upper part.	1.90	X	X	X	X	X
Areas where people might congregate	(1) Areas where full insulating external glazing is used to prevent heat energy losses. (2) Areas of the lower, middle or upper part.	0.36	✓	✓	✓	✓	✓
Areas where people might congregate	(1) Areas where full insulating external glazing is used to prevent heat energy losses. (2) Areas of the lower, middle or upper part.	1.90	X	X	X	X	X