

Countersunk Glass to Wall Partition Bracket (82mm Bar) (Model: KG139C)

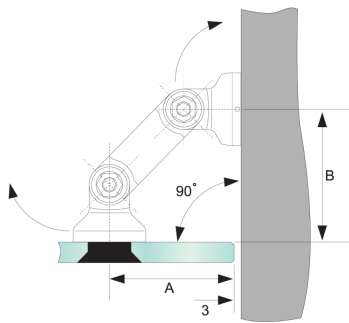
Glass to Wall



Attributes:

Product Code: KG139C

Unit Of Sale: Each



Hole Pitch of Connecting Bar

Angle	52.5		60		82	
	A	B	A	B	A	B
90°	67	62	72	67	88	83