

Glass to Wall Partition Bracket (82mm Bar) (Model: KG139F)

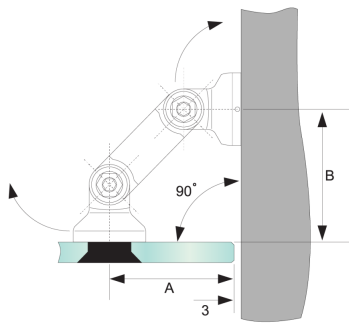


Glass to Wall

Attributes:

Product Code: KG139F

Unit Of Sale: Each



Hole Pitch of Connecting Bar						
	52.5		60		82	
	Hole Center to Glass Edge					
Angle	A	B	A	B	A	B
90°	67	62	72	67	88	83