

Sliding Door Rail Holder To Wall (Model: KGSD153)

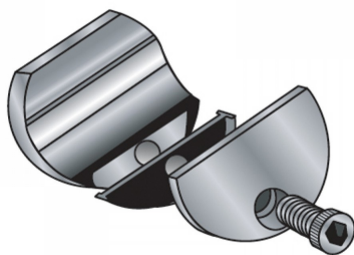
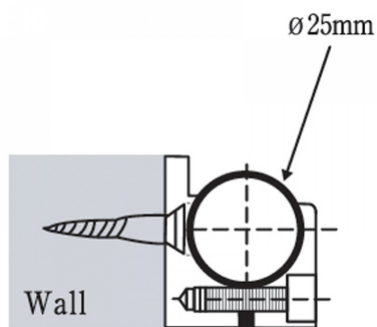


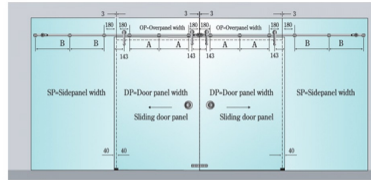
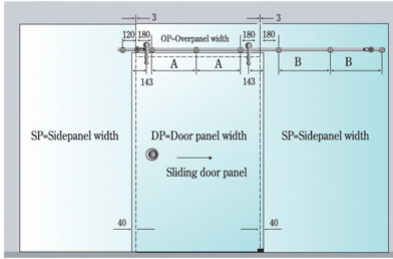
- Used to mount the sliding door rail to the wall.
- Suitable for the 25mm diameter sliding rail.

Attributes:

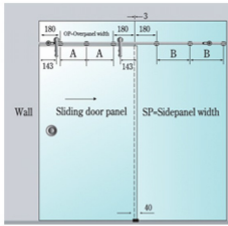
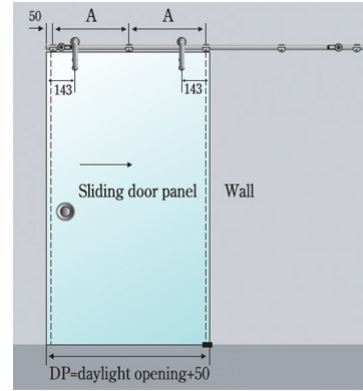
Product Code: KGSD153

Unit Of Sale: Each





$A = [OP - (180 + 180)] \div 2$ OP=Overpanel width
 $B = [SP - (180 + 180)] \div 2$ SP=Sidepanel width
 DP=Door panel width



$A = [OP - (180 + 180)] \div 2$
 $B = [SP - (180 + 180)] \div 2$
 OP=Overpanel width
 SP=Sidepanel width
 DP=Door panel width