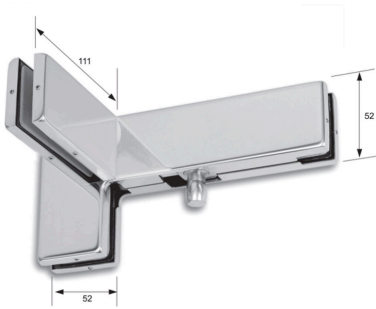


GCC Corner Transom With Fin - Right - Satin Stainless (Model: KGT41RSS)



- Easy installation with a unique body in three pieces, a great deal of time and effort can be saved by separate installation in side panel and overpanel.
- For Overpanel and Sidepanel with Fin Fitting Inside.
- With 15mm Diameter Pivot to fit KGT20.
- Right & Left Fin Type.

Attributes:

Product Code: KGT41RSS

Unit Of Sale: Each

