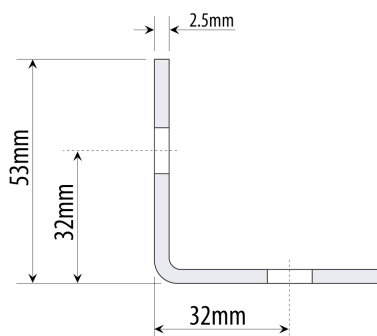


Angle Bracket ( Model: KP552 )



- The angle bracket is made of stainless steel AISI 316L.
- It has to be used to fix two panels together or to fix the panel to the wall.
- Allows adjusting tolerances between wall & panel thanks to the special shape of the fixing holes.



Height = 40mm

Attributes:

**Product Code:** KP552

**Unit Of Sale:** Each