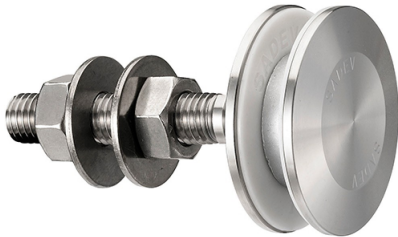
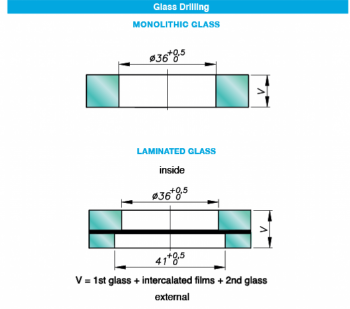
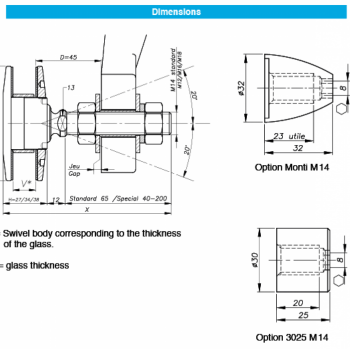


60mm Dia. Flat Head Articulated Bolt For 8 - 15mm Thick Glas (Model: KSP.R1003-0815-1465)

These items are not held in stock and will require approximately 1-2 weeks delivery time



Attributes:
Product Code: KSP.R1003-0815-1465
Unit Of Sale: Each



Available for glass thicknesses from 8 to 32 mm, for other thicknesses please consult us.
It is important to provide the following information with each request: the glass composition (es.: 10 mm monolithic, 8.8.4 laminated, 8.8.2.12.10 insulating) / the length and diameter of the threaded axle if not standard dimensions (M14, 60 mm) / the reference of the spider to be used as support, or the thickness of an existing support for the safety of the spacers.

Components

N°	Quantity	DESCRIPTION	MATERIAL
1	1	Swivel body	Al-Cu 14.16x 17.12 in per EN 10088-3
2	1	Threaded Axle	Al-Cu 14.16x 18.5 in per EN 10088-3
3	1	Washer 60mm	Al-Cu 14.16x 17.12 in per EN 10088-3
4	2	Conical spacer	Al-Cu 14.16x 17.12 in per EN 10088-3
5	1	Washer 60mm	Al-Cu 14.16x 17.12 in per EN 10088-3
6	1	Hex 20x20x4	Al-Cu 14.16x 17.12 in per EN 10088-3
7	2	Washer	Al-Cu 14.16x 17.12 in per EN 10088-3
8	1	Lock washer DIN127	Al-Cu 14.16x 17.12 in per EN 10088-3
9	1	Hex 20x20x4	Al-Cu 14.16x 17.12 in per EN 10088-3
10	1	3025 Conical Spacer	Al-Cu 14.16x 17.12 in per EN 10088-3
11	1	3025 Conical Spacer	Al-Cu 14.16x 17.12 in per EN 10088-3

