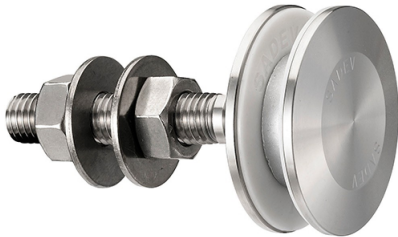


**60mm Dia. Flat Head Articulated Bolt For 15 - 22mm Thick Gla ( Model: KSP.R1003-1522-1465 )**

These items are not held in stock and will require approximately 1-2 weeks delivery time

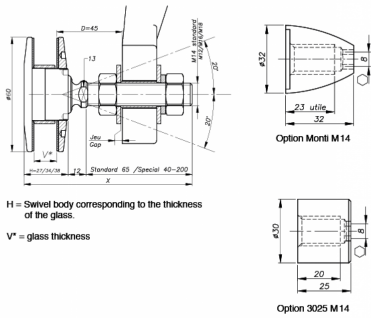


**Attributes:**

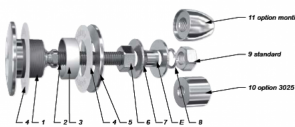
**Product Code:** KSP.R1003-1522-1465

**Unit Of Sale:** Each

**Dimensions**

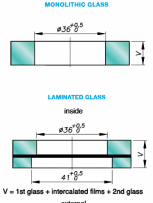


**Components**

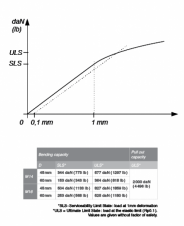


MARK	QUANTITY	DESIGNATION	REFERENCE
1	1	Swivel body	X2 Cr Ni Mo 17.12.2 as per EN 10088-3
2	1	Threaded Axle	X6 Cr Ni Mo 18.8.1 as per EN 10088-3
3	1	Glass hole grommet	AW-1000A as per EN 873-3/A1 99.9%
4	2	Contact washer	White polyacetal or white polyethylene
5	1	Glass nut Ø50	X2 Cr Ni Mo 17.12.2 as per EN 10088-3
6	1	NM DN Ø54	A4
7	2	Washer	A4
8	1	Lock washer DR1127	A4
9	1	NM DN Ø54	A4
10	1	3025 Cap nut - Option	X2 Cr Ni Mo 17.12.2 as per EN 10088-3
11	1	Mureli cap nut - Option	X2 Cr Ni Mo 17.12.2 as per EN 10088-3

**Glass Drilling**



**Mechanical Performance**



Available for glass thicknesses from 6 to 22 mm, for other thicknesses please contact us.  
 All dimensions are given in millimeters unless otherwise specified. All dimensions are given in millimeters unless otherwise specified.  
 All dimensions are given in millimeters unless otherwise specified. All dimensions are given in millimeters unless otherwise specified.