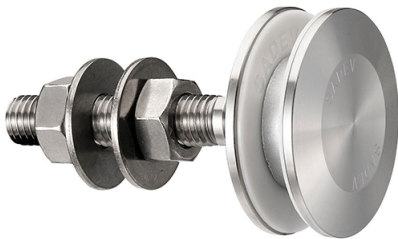
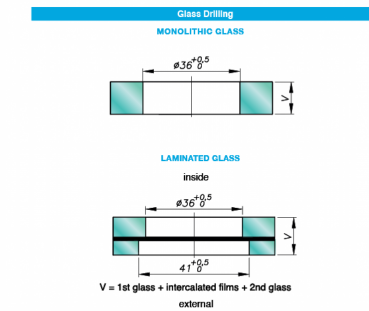
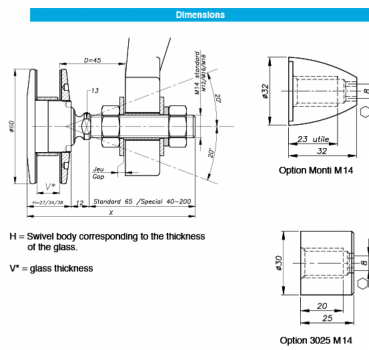


60mm Dia. Flat Head Articulated Bolt For 22 - 26mm Thick Gla (Model: KSP.R1003-2226-1465)

These items are not held in stock and will require approximately 1-2 weeks delivery time



Attributes:
Product Code: KSP.R1003-2226-1465
Unit Of Sale: Each



Available for glass thicknesses from 8 to 31.52 mm. For other thicknesses please consult us.
It is important to provide the following information with each request: the glass composition (es. 10 mm monolithic, 8,8,4 laminated, 8,8,2,12-10 insulating) / the length and diameter of the threaded axis if not standard dimensions (M14, 80 mm) / the reference of the spider to be used as support, or the thickness of an existing support for the delivery of the spider.

Components

Order	Quantity	Designation	Material
1	1	Swivel body	A3-2 (M14) 11.22 mm per DIN 10088-3
2	1	Threaded bolt	A3-2 (M14) 18.5 mm per DIN 10088-3
3	1	Lock washer	A3-2 (M14) 11.22 mm per DIN 10088-3
4	2	Conical nut for	A3-2 (M14) 11.22 mm per DIN 10088-3
5	1	Glass hole	Ø36 ± 0.5 mm
6	1	Head Ø36	A3-2 (M14) 11.22 mm per DIN 10088-3
7	2	Washer	A3-2 (M14) 11.22 mm per DIN 10088-3
8	1	Lock washer DIN 127	A3-2 (M14) 11.22 mm per DIN 10088-3
9	1	Hex Ø20 Ø36	A3-2 (M14) 11.22 mm per DIN 10088-3
10	1	SWB Conical Nut - Outer	A3-2 (M14) 11.22 mm per DIN 10088-3
11	1	SWB Conical Nut - Inner	A3-2 (M14) 11.22 mm per DIN 10088-3

Mechanical Performance

