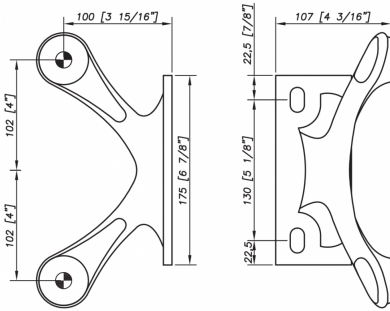


S3100 Spider Bracket Series - 2 Arm - AISI316 (Model: KSP.S3100.2)



- This spider is the perfect match between design and quality.

- Thanks to a great stainless steel quality, the corrosion resistance is guaranteed.

- Suitable for facades, glass roofs, etc. These items are not held in stock and will require approximately 1-2 weeks delivery time

Attributes:

Product Code: KSP.S3100.2

Unit Of Sale: Each

