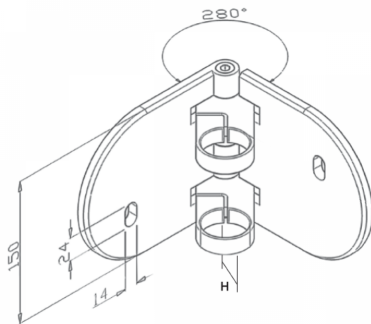


Side Fix Corner Bracket 45mm S/O for Tube 48.3mm (Model: KSS.0527.483.316)



- A pre assembled side mount baluster bracket supplied in 316 grade stainless steel and a 320 grit fine brushed polish.
- Simply mounted to the substructure and the post is clamped by means of an allen key fixing.
- Works on both an Internal and External Corner
- No polishing or welding needed.



Attributes:

Product Code: KSS.0527.483.316

Unit Of Sale: Each